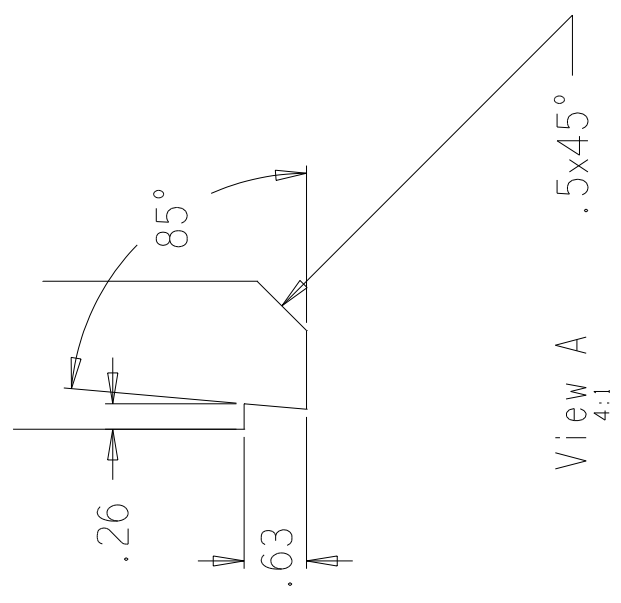
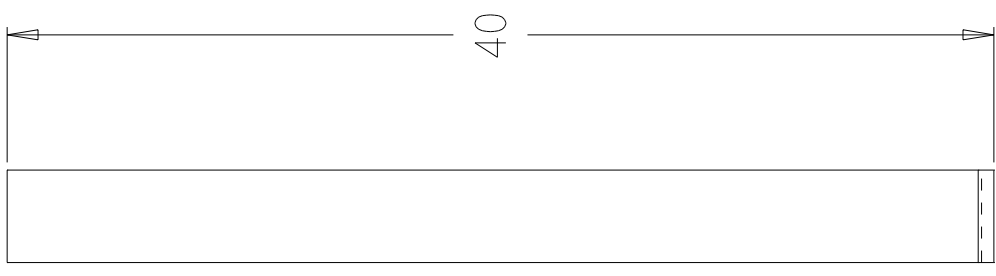


REVISIONS

REV	DESCRIPTION	DATE	APPROVED
A	INITIAL RELEASE	8-11-05	RAR

MATERIAL: KILN DRIED 2X4



See View A

View A
4:1

TOLERANCE:
XX ± .01
XXX ± .005
MACHINED SURFACES 63

ROOS INSTRUMENTS
PRY BAR GRATE

RT DMG#
RT P/N
LEVEL

SHEET