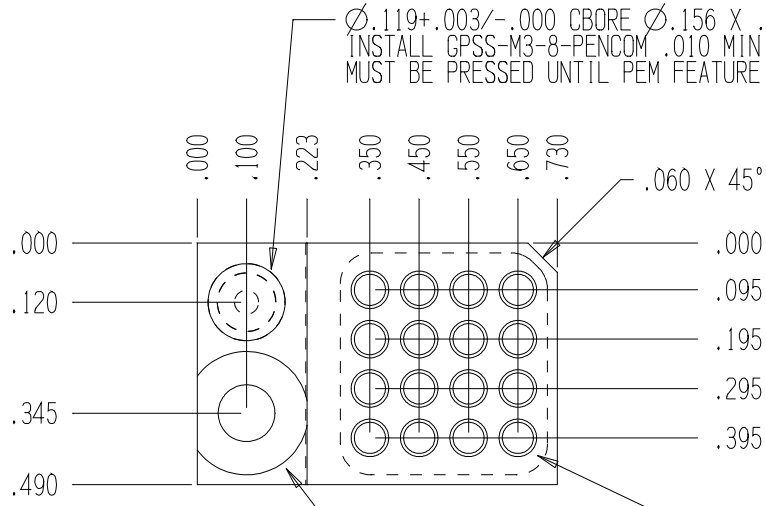
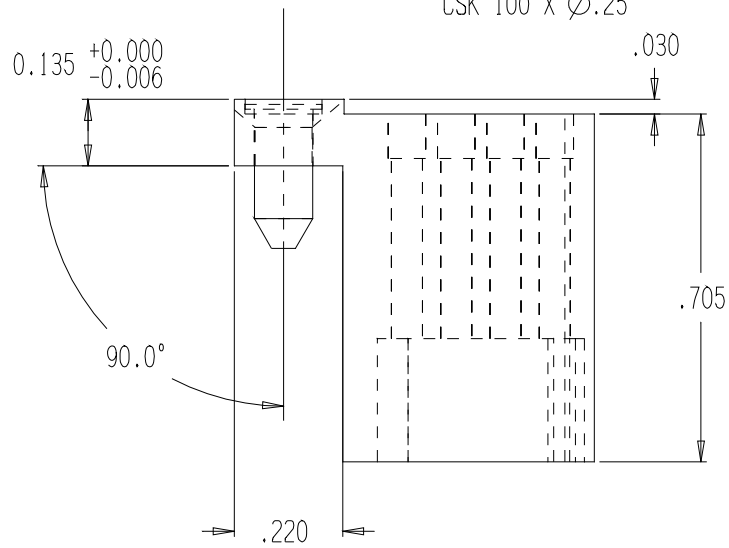
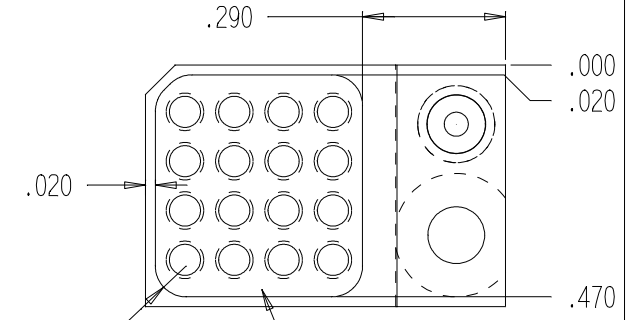


REVISIONS			
REV	DESCRIPTION	DATE	APPROVED
E	ADD POCKET	10-14-14	JC
F	RAISED FACE.015	8-18-16	RAR



$\varnothing .115 \pm .001$ THRU
 CSK $100^\circ \times \varnothing .25$

$\varnothing .0625 + .002 / - .001$ THRU
 CDRILL $\varnothing .076 \times .07 DP 16X$



R.063 4X

MATERIAL: DELRIN
 FINISH: NO BURRS
 NO TOOL MARKS ALL SIDES

TOLERANCE:
 .XX $\pm .01$
 .XXX $\pm .005$
 BEND TO BEND $\pm .02$
 BEND TO HOLE $\pm .015$
 HOLE TO HOLE $\pm .005$
 MACHINED SURFACES 63

ROOS INSTRUMENTS	
INSERT FIX 16 POGO	
DWG# ONEFIXDUAL4	RI P/N W1MFESHF
RI CONFIDENTIAL AND PRIVILEGED INFORMATION	SHEET 1 OF 1