

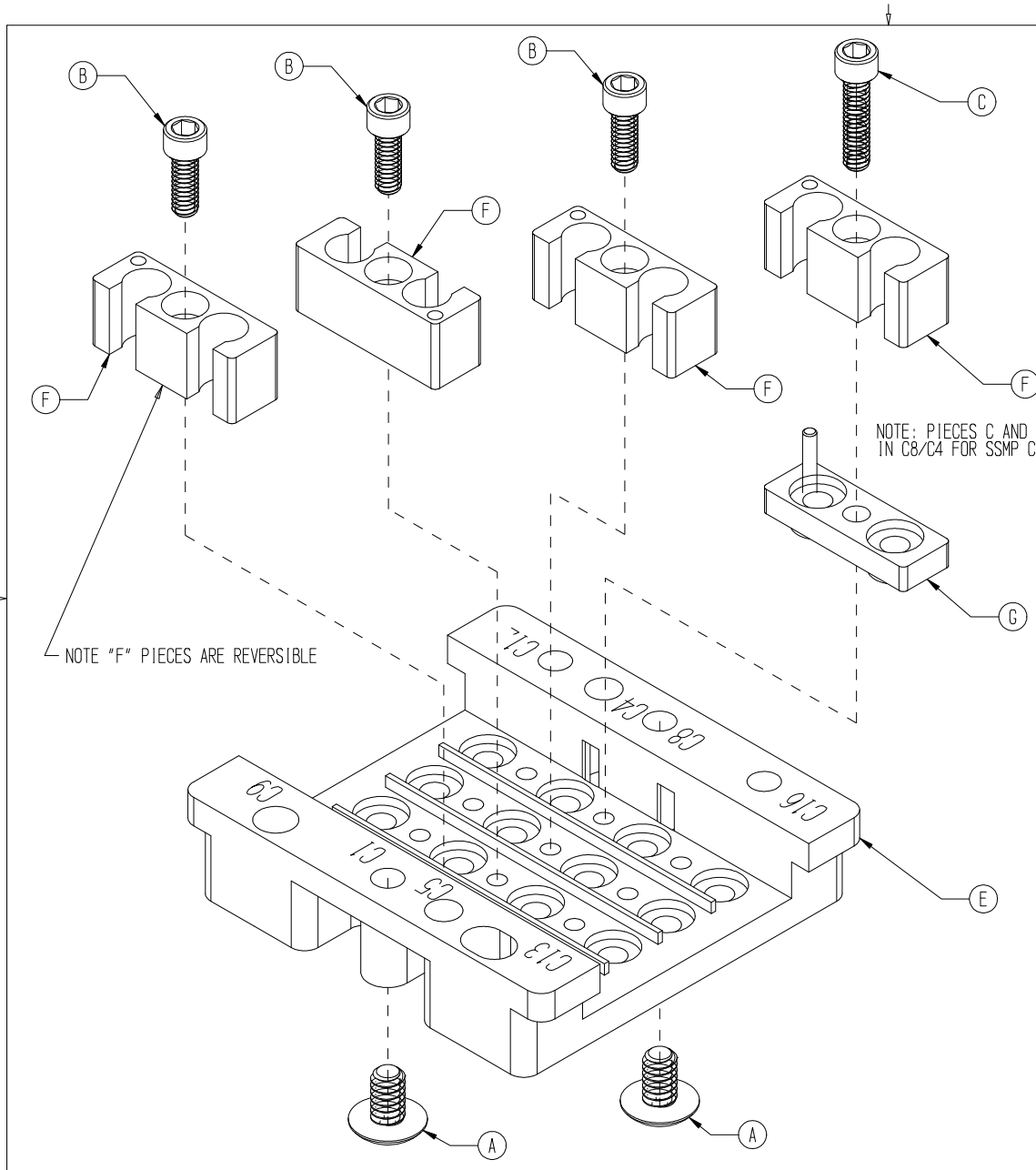
# RIK0321A BOM

<b>Reference Designator</b>	<b>Part Number</b>	<b>Description</b>	<b>Quantity</b>
A	MC7SVE1B	Screw, Truss Phil 4-40 x 3/16	2
B	MGHA771A	Screw, Socket Cap, 2-56 x ¼	3
C	MGY0H21A	Screw, Socket Cap, 2-56 x 3/8	1
E	W1MFGJBB	Fixture Block 50Ghz	1
F	W1MFGLYA	Retainer PKZ-F	4
G	W1MFG LZA	Spacer Block SSMP	1

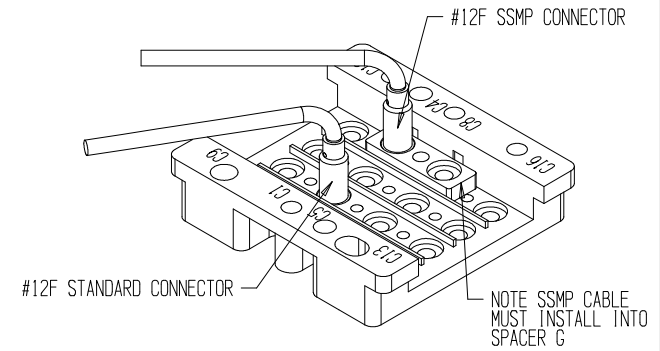
Required Tools:

#1 Phillips Screw Driver

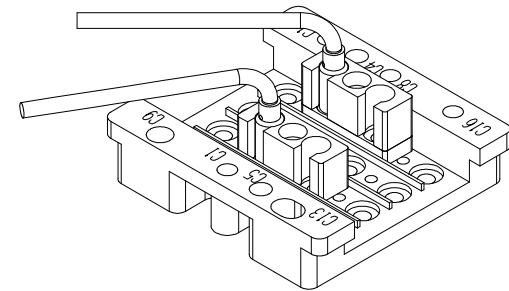
5/64 Hex



REVISIONS			
REV	DESCRIPTION	DATE	APPROVED
A	INITIAL RELEASE	08-17-21	JC



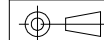
INSTALL CABLES THEN RETAINER (F)



TOLERANCE:  
 .XX ±.01  
 .XXX ±.005  
 BEND TO BEND ±.02  
 BEND TO HOLE ±.015  
 HOLE TO HOLE ±.005  
 MACHINED SURFACES 63  
 ALL DIMS IN INCHES

Roos Instruments

RIK0321A ASSY DOC



THIRD ANGLE PROJECTION

RI P/N

MXRTMV4A

RI CONFIDENTIAL AND PRIVILEGED INFORMATION

SHEET 1 OF 1