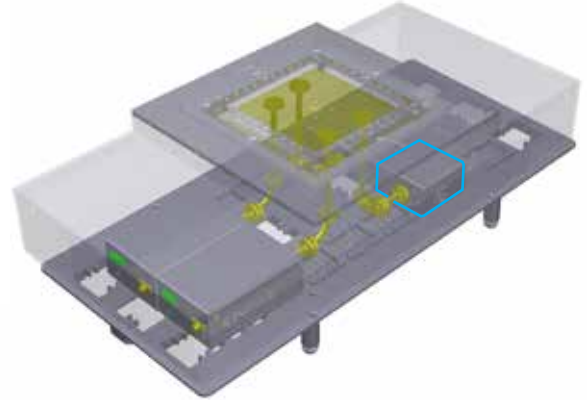


Applications

- Automotive Radar
- Ultra Wideband
- Point-to-Point Communication
- Electronic Warfare



Overview

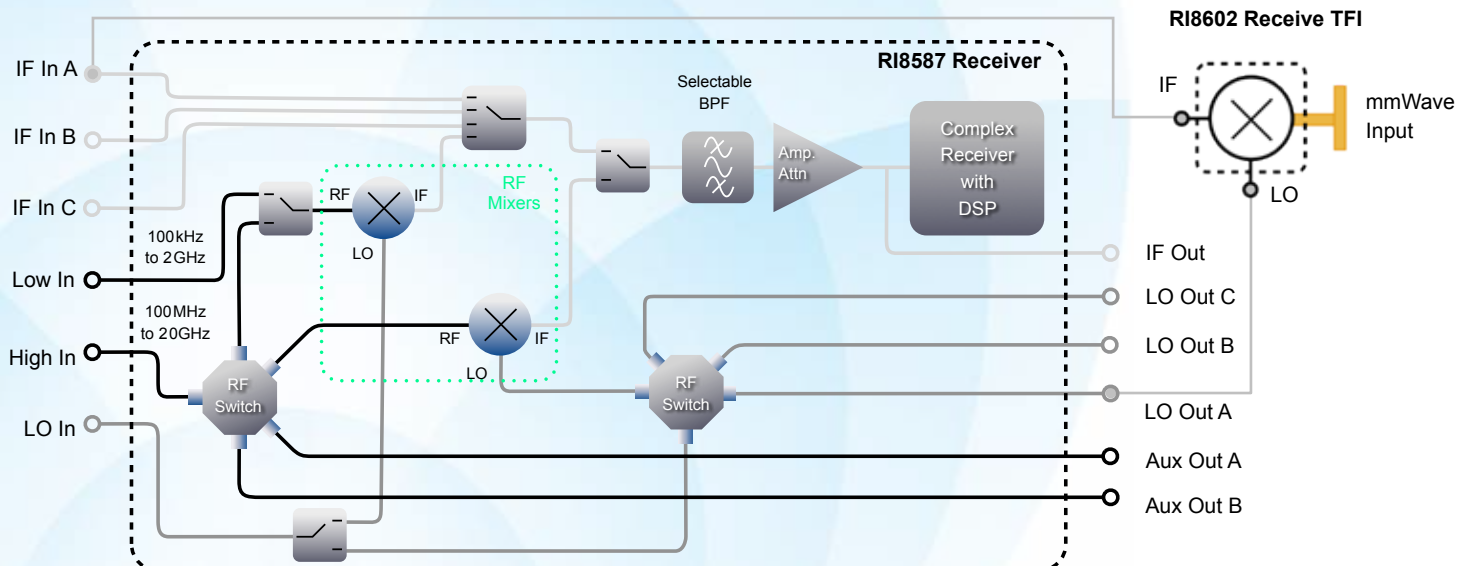
The RI8602 Receive Test Fixture Instrument (TFI) provides a low loss waveguide port to extend the measurement capability of a Cassini receiver to the 71 - 86 GHz band. With a waveguide downconverter and integrated calibration, the RI8602 enables absolute signal power, and phase measurements for millimeter wave test applications. Designed to interface with a standard Cassini receiver or test set instrument, the RI8602 provides microwave IF and LO ports for drop-in integration into Cassini fixtures. The small footprint and reduced signal routing to the device under test, makes the receive TFI ideally suited for in-package and probe station type setups for high fidelity measurement applications.



Key Features

- *Cost Effective Multi-Port/Multi-Site Design Layouts*
- *Minimal Footprint for Optimum Placement near DUT*
- *Integrated Calibration and Software Control*
- *-110 to +3 dBm Measurement Range*

Block Diagram



Performance

Measure ¹

Frequency Range

71 GHz to 86 GHz

Power Range

-110 dBm to +3 dBm

Connector Types

Receive Port

WR-12 Waveguide

IF Port

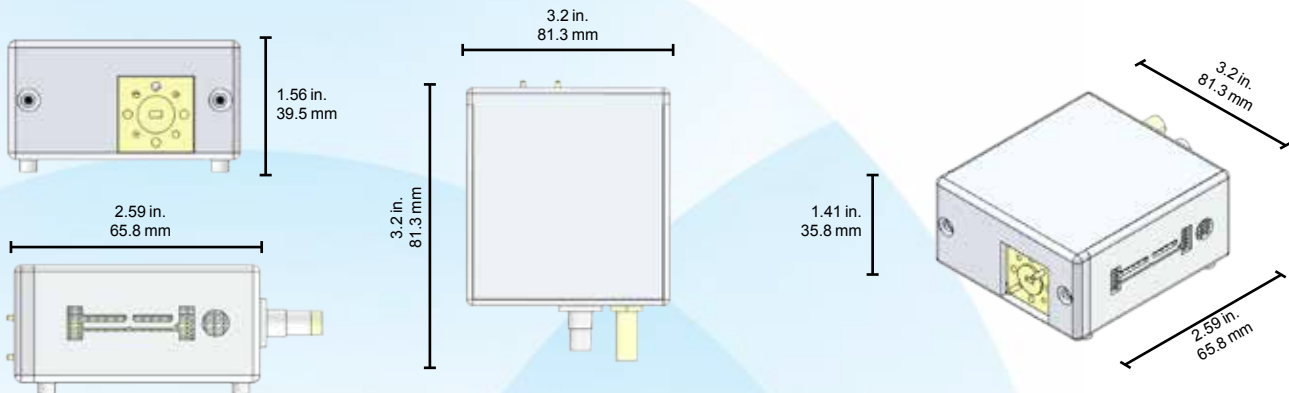
SMA Female

LO Port

2.92mm (K-Connector) Female

¹ Typical performance with an RI8587 Receiver

Physical Dimensions



Cassini Test Systems

A versatile, high-speed, automated test solution for analog, mixed-signal, RF, and millimeter-wave devices.

Cassini provides a modular base architecture that is fully configurable via Test Instrument Modules (TIMs) to meet the needs of any IC, wafer, or module test requirement.

Each TIM contains internally-cooled, RF-shielded measurement instrumentation, signal distribution, and blind mate interfacing to provide targeted test resources and integrate to build up a complete production test platform.

Combined with Roos Instruments' integrated test software, Cassini can be configured to any application for maximum performance, true low cost of test, and the industry's fastest test times.

Roos Instruments

2285 Martin Ave.
Santa Clara, CA 95050
TEL +1 - 408 - 748 - 8589
sales@roos.com
www.roos.com

