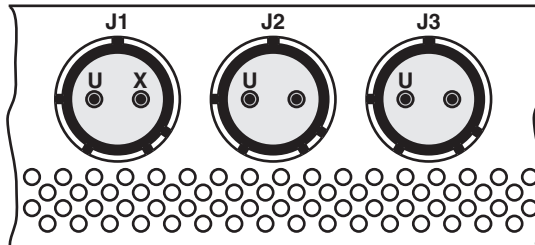
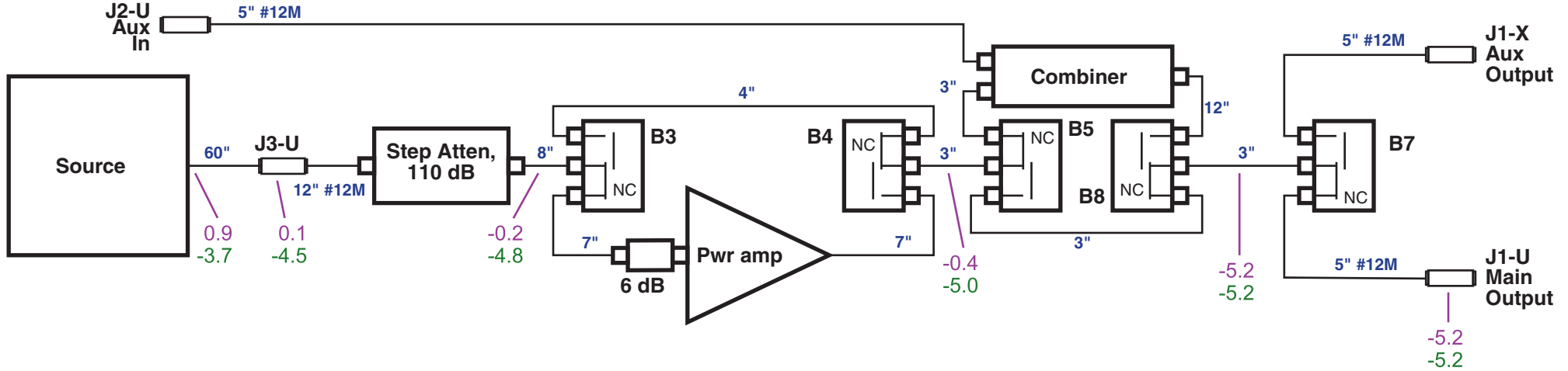


Roos Instruments, Inc - Cassini
Block Diagram, Source/Amp Attenuator
RI8555A

2007-2-6

Copyright Roos Instruments, Inc.
 Subject to change without notice



Path Powers, 1 GHz, -10 dBm at the testhead
 Combined Path
 Separate Path

Unless otherwise noted, all cables are SMA, and all cables are M-M.