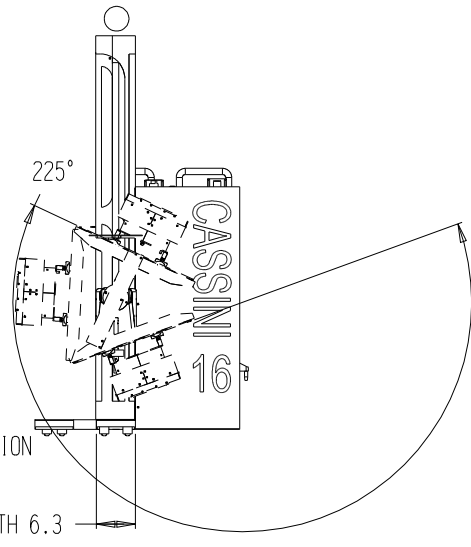
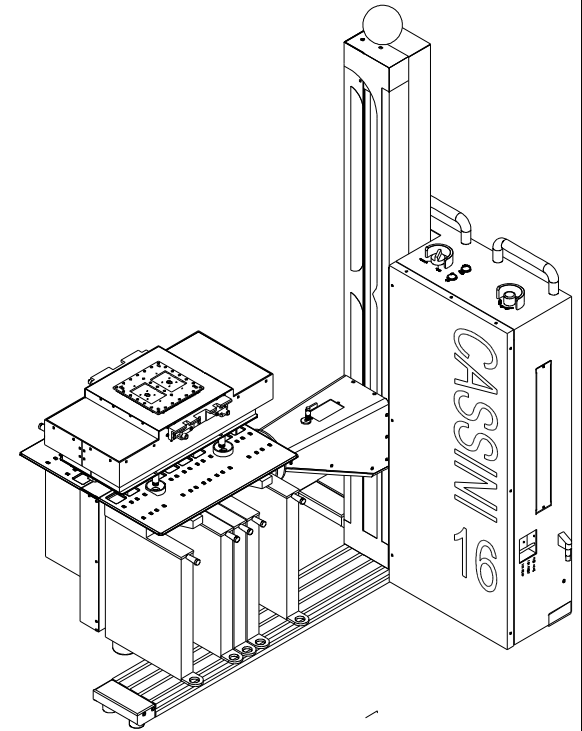
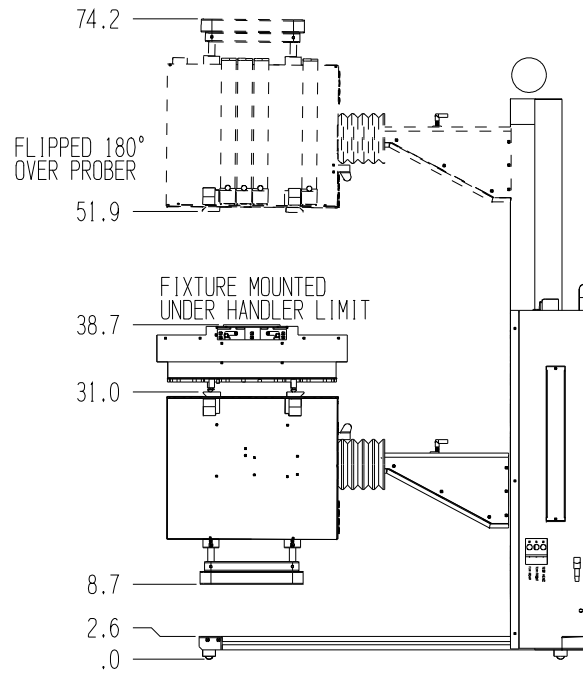
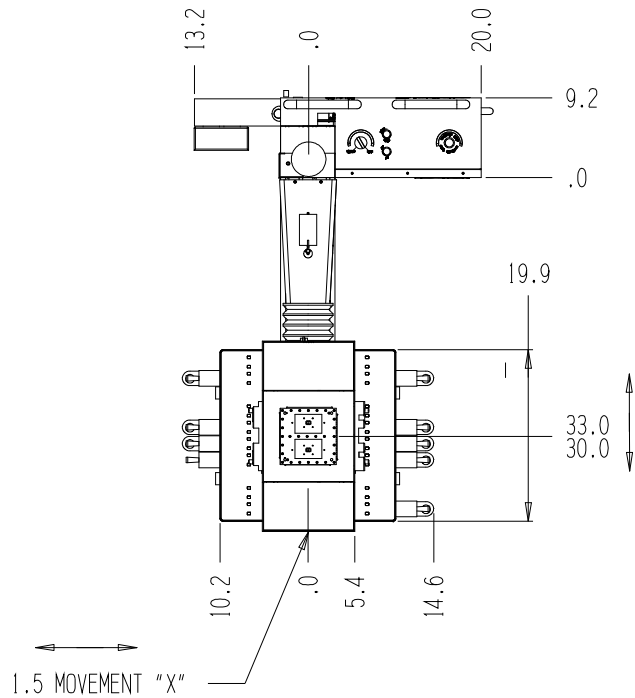


REVISIONS			
REV	DESCRIPTION	DATE	APPROVED
A	INITIAL RELEASE	12-11-06	RAR



ROOS INSTRUMENTS	
CAS 16 DOCKING LIMITS	
DWG#	RI P/N R18568B1
LEVEL	SHEET 1 OF 1