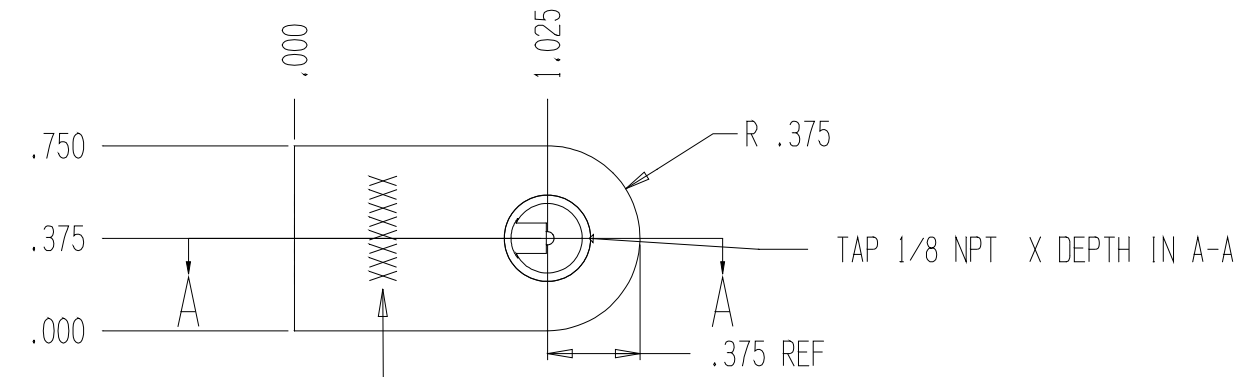
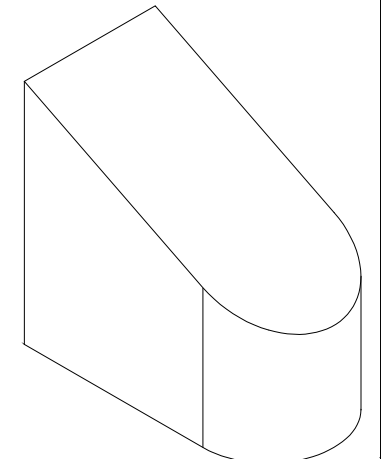
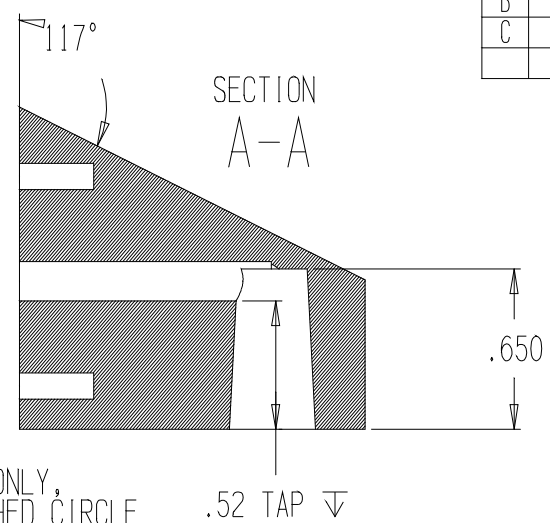
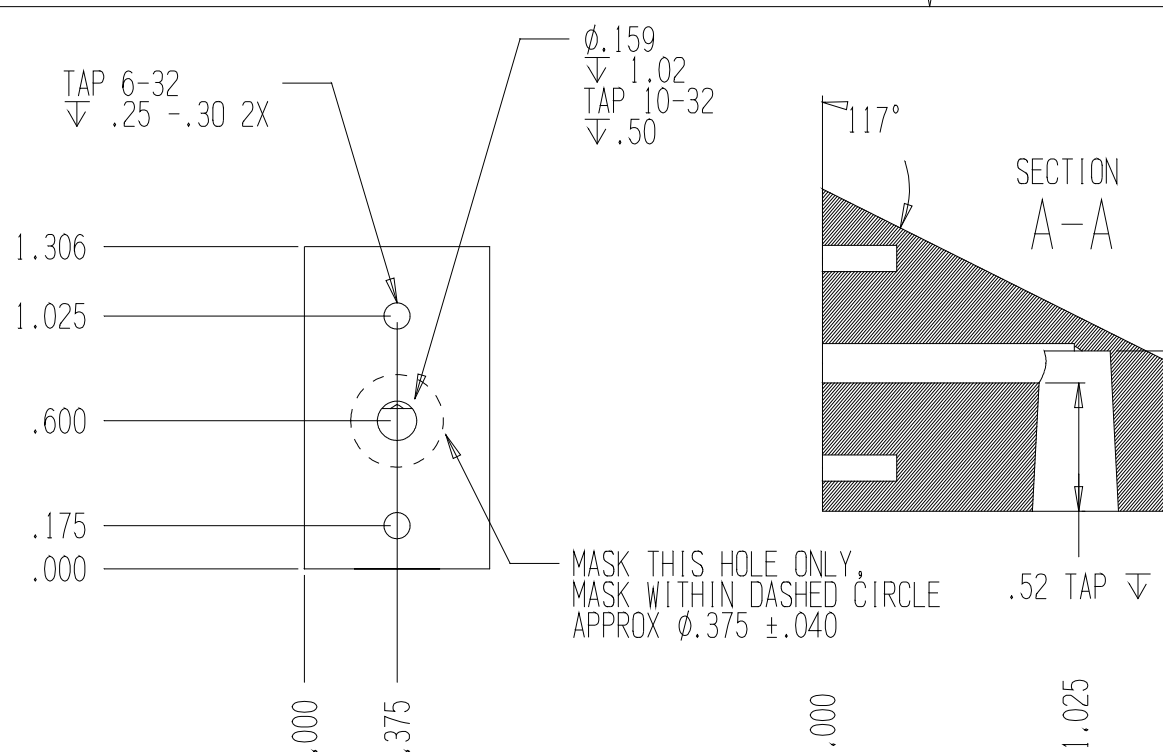


REVISIONS			
REV	DESCRIPTION	DATE	APPROVED
B	CLARIFIED DIMS	5-9-11	RAR
C	ADDED MASK CALL OUT	7-29-14	CAM



MATERIAL: 6061-T6
 FINISH: REMOVE SHARP EDGES
 PLUG ALL HOLES
 POWDER COAT GRAY RAL 7035

PERMANENTLY MARK P/N
 APPROX WHERE SHOWN .10-.19 TALL

TOLERANCE: XX ± .01 XXX ± .005 MACHINED SURFACES 63	ROOS INSTRUMENTS	
	AIR INSERT CAS 16	
RI CONFIDENTIAL AND PRIVILEGED INFORMATION	RI DWG# CASINFRSTR2	RI P/N WIMFESCC
	LEVEL X	SHEET 1 OF 1