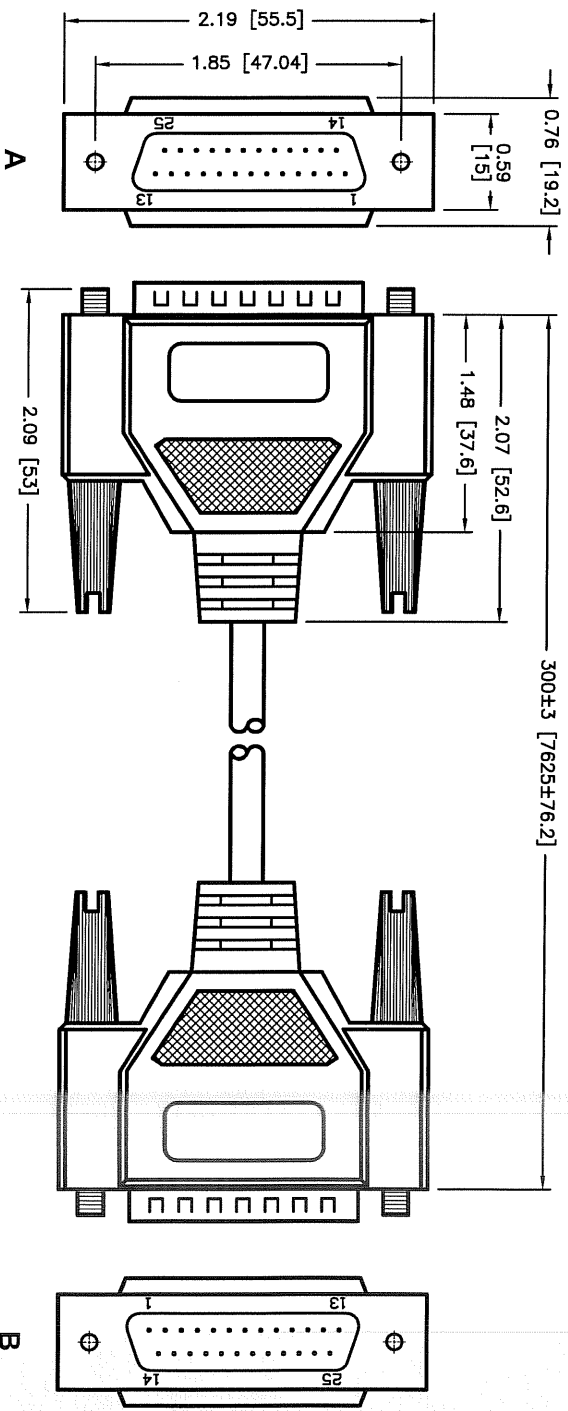


ALL RIGHTS RESERVED. NO PORTION OF THIS PUBLICATION, WHETHER IN WHOLE OR IN PART CAN BE REPRODUCED WITHOUT THE EXPRESS WRITTEN CONSENT OF SPC TECHNOLOGY.

REVISIONS				DOC. NO. SPC-F005	Effective: 12/21/98	DCP No: 880		
DCP #	REV	DESCRIPTION	DRAWN	DATE	CHECKD	DATE	APPRVD	DATE
1042	A	RELEASED	HYO	12/19/01	JWM	12/19/01	DJC	12/19/01

**PIN OUTS**

A	WIRE COLOR	B	Shell
1	BLACK	1	
2	BROWN	2	
3	RED	3	
4	ORANGE	4	
5	YELLOW	5	
6	GREEN	6	
7	BLUE	7	
8	PURPLE	8	
9	WHITE	9	
10	GRAY	10	
11	BLACK/WHITE	11	
12	BROWN/WHITE	12	
13	RED/WHITE	13	
14	ORANGE/WHITE	14	
15	YELLOW/BLACK	15	
16	GREEN/WHITE	16	
17	BLUE/WHITE	17	
18	PURPLE/WHITE	18	
19	LIGHT-GREEN	19	
20	PINK	20	
21	PINK/BLACK	21	
22	GRAY/BLACK	22	
23	ORANGE/BLACK	23	
24	RED/BLACK	24	
25	GREEN/BLACK	25	
Shell		Shell	



**Specifications:**

- Molded connector end requirements:
  - Inner mold using PE
  - Aluminum foil wrap to connector
  - PVC - 45P, Platinum gray
- Cable:
  - 28AWG (7/0.12), 25 Conductors
  - Drain Wire (7/0.16)
  - Insulation: PP, OD = Ø0.78±0.03mm
  - Jacket: PVC, OD = Ø7.0±0.15mm
  - Color: Platinum gray

- Thumbscrew: Male 4X47mm, Nickel plating
- Connectors:
  - A & B) DB25 Pin Male, Nickel plating, Insulator Color: Blue

DISCLAIMER  
ALL STATEMENTS AND TECHNICAL INFORMATION CONTAINED HEREIN ARE BASED UPON INFORMATION AND/OR DATA WHICH WE BELIEVE TO BE ACCURATE AND RELIABLE. SINCE CONDITIONS OF USE ARE THE PROPERTY OF THE USER, SPC TECHNOLOGY ASSUMES NO LIABILITY FOR ANY DAMAGE OR LOSS OF DATA INCURRED BY USER AND ASSUMES ALL RISK AND LIABILITY WHATSOEVER IN CONNECTION THEREWITH.

**SPC TECHNOLOGY**

UNLESS OTHERWISE SPECIFIED, DIMENSIONS ARE FOR REFERENCE PURPOSES ONLY.

DRAWN BY:	DATE:	DRAWING TITLE:	SCALE:	SHEET:
HISHAM ODISH	12/19/01	DATA CABLE, 25 FT, DB25P MALE / DB25P MALE	NTS	1 OF 1
CHECKED BY:	DATE:	SIZE DWG. NO.	U.O.M.: INCHES [mm]	
JEFF MCWICKER	12/19/01	A SPC10455		
APPROVED BY:	DATE:	ELECTRONIC FILE		
DANIEL CAREY	12/19/01	19C8329.DWG		