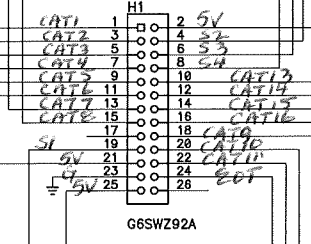
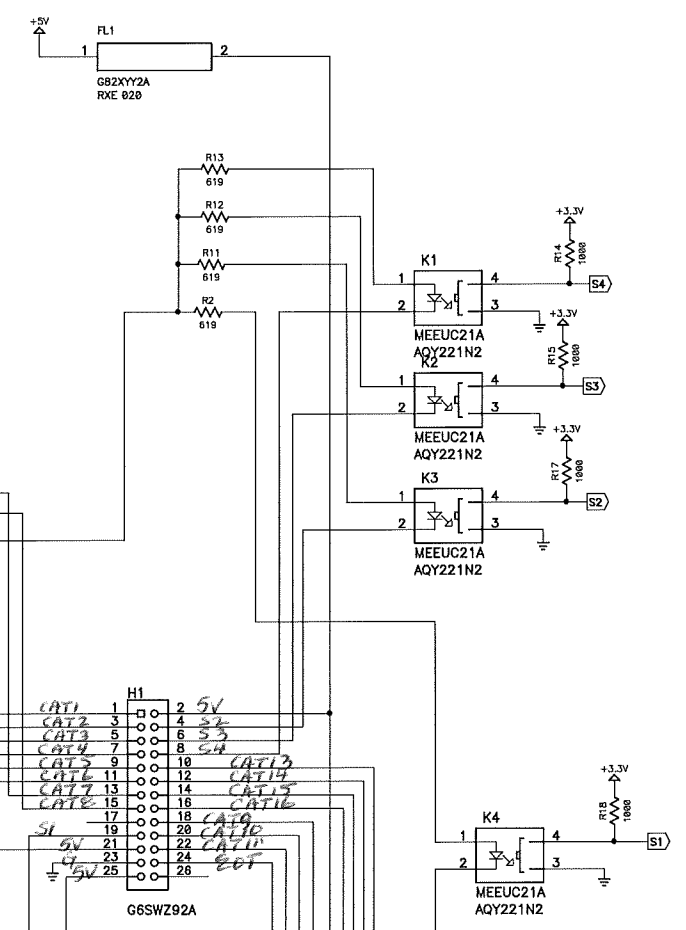
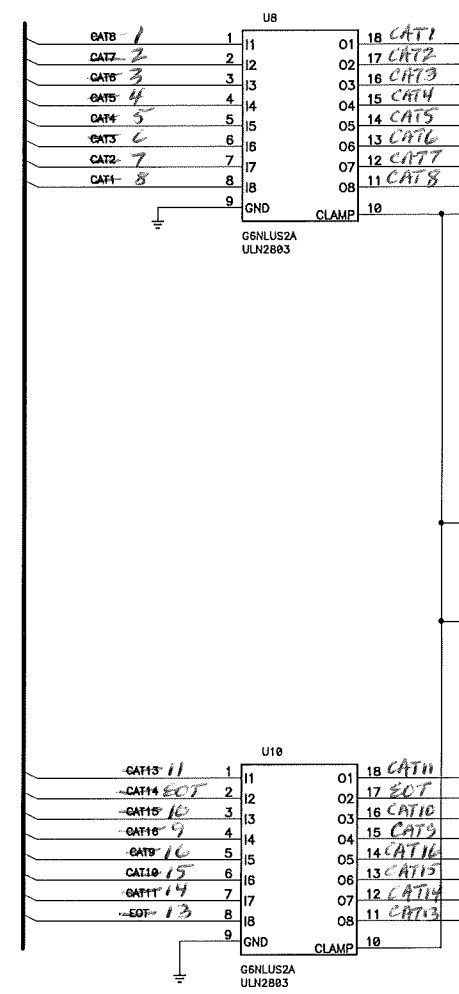


Labels incorrect



Roos Instruments 2285 Martin Ave. Suite C Santa Clara CA 95050 408 748-8589			
Title PARALLEL			
Size C	Number	CVA	Rev A
Date	Sun Sep 07, 2014	Drawn by	MDR
Filename	Y000cva0.sch	Sheet	1 of 1

CPLD =
yicvalla
w/ yicgb142