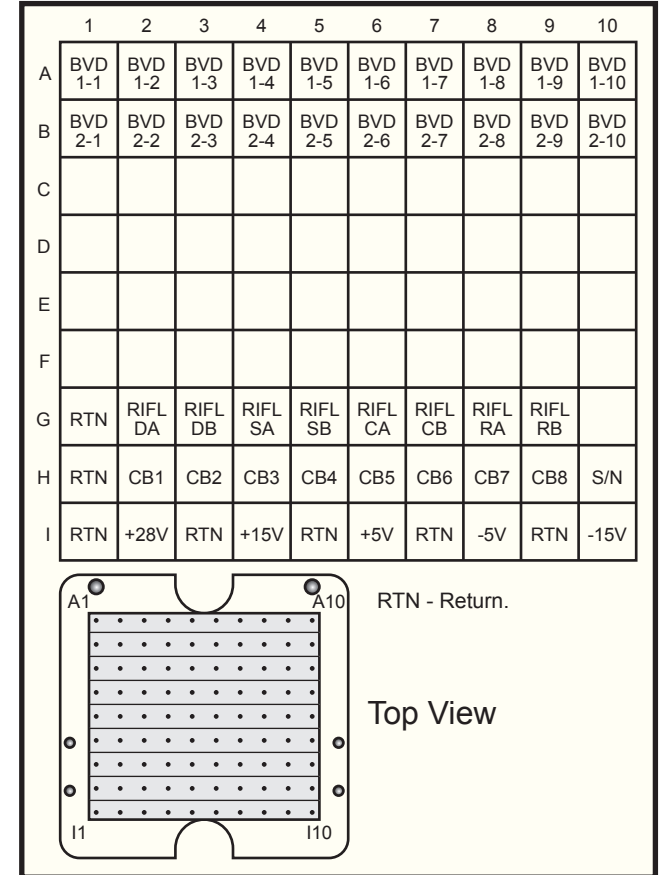
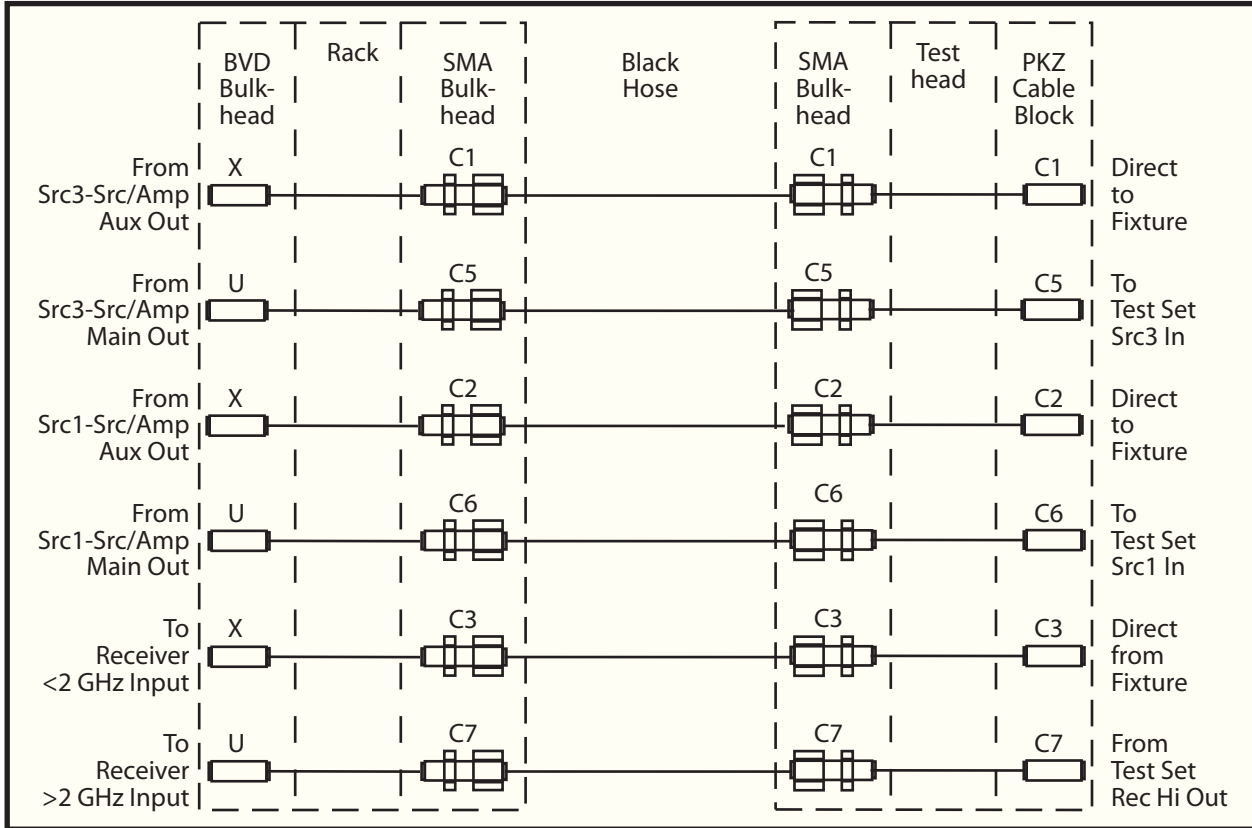


Roos Instruments, Inc - Cassini
Block Diagram, Infrastructure/Testhead
 RI8556A/RI8549A

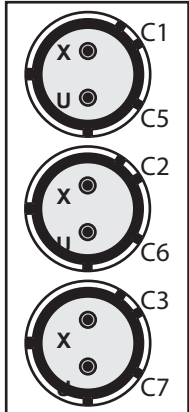
2008-06-18

Copyright Roos Instruments, Inc.
 Subject to change without notice

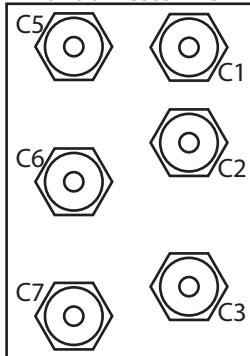
Notes:
 1) To/from designations are typical,
 depending on tester configuration
 and option mix.



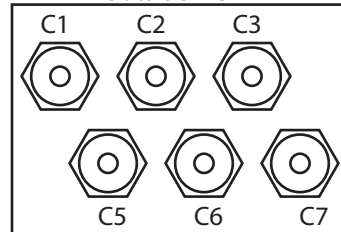
Rack BVD Bulkhead Left Side View



Rack SMA Bulkhead Front of Tester View



Testhead SMA Bulkhead Outside View



Testhead PKZ Cable Block Top View

