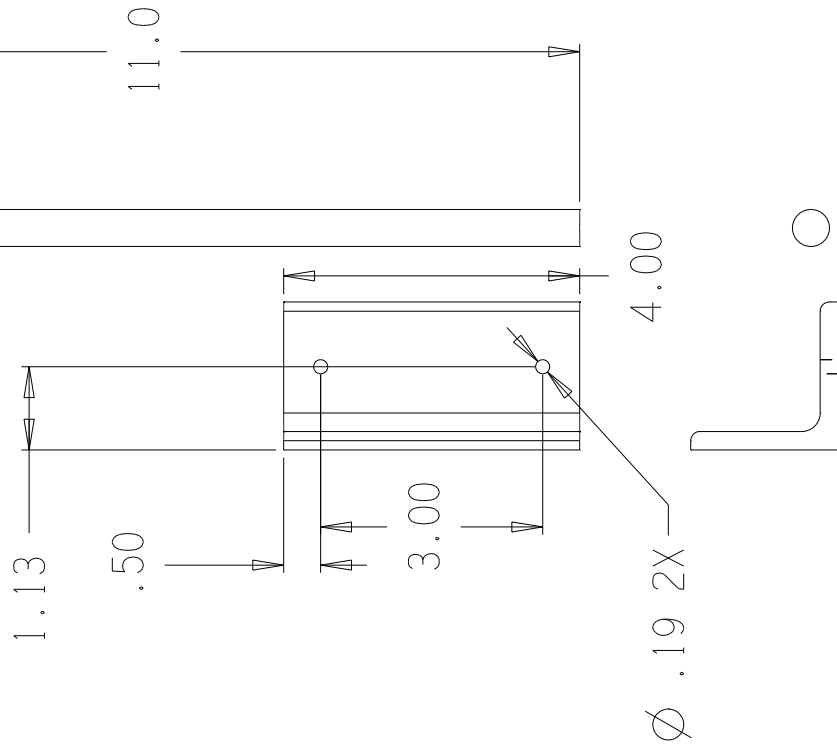


REVISIONS

REV	DESCRIPTION	DATE	APPROVED
A	INITIAL RELEASE	8-11-05	RAR



MATERIAL: STEEL 2" X .25 ANGLE IRON
 STEEL DOWEL .5
 FINISH: DEBURR CUT EDGES

TOLERANCE: XX ± .01 XXX ± .005 MACHINED SURFACES 63	ROOS INSTRUMENTS	
RI CONFIDENTIAL AND PRIVILEGED INFORMATION	FULCRUM & LIFT BAR	
RI DWG#	RI P/N	SHEET
	LEVEL	