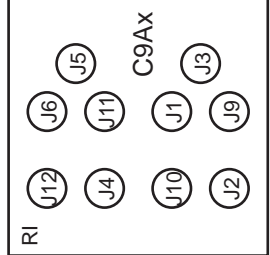
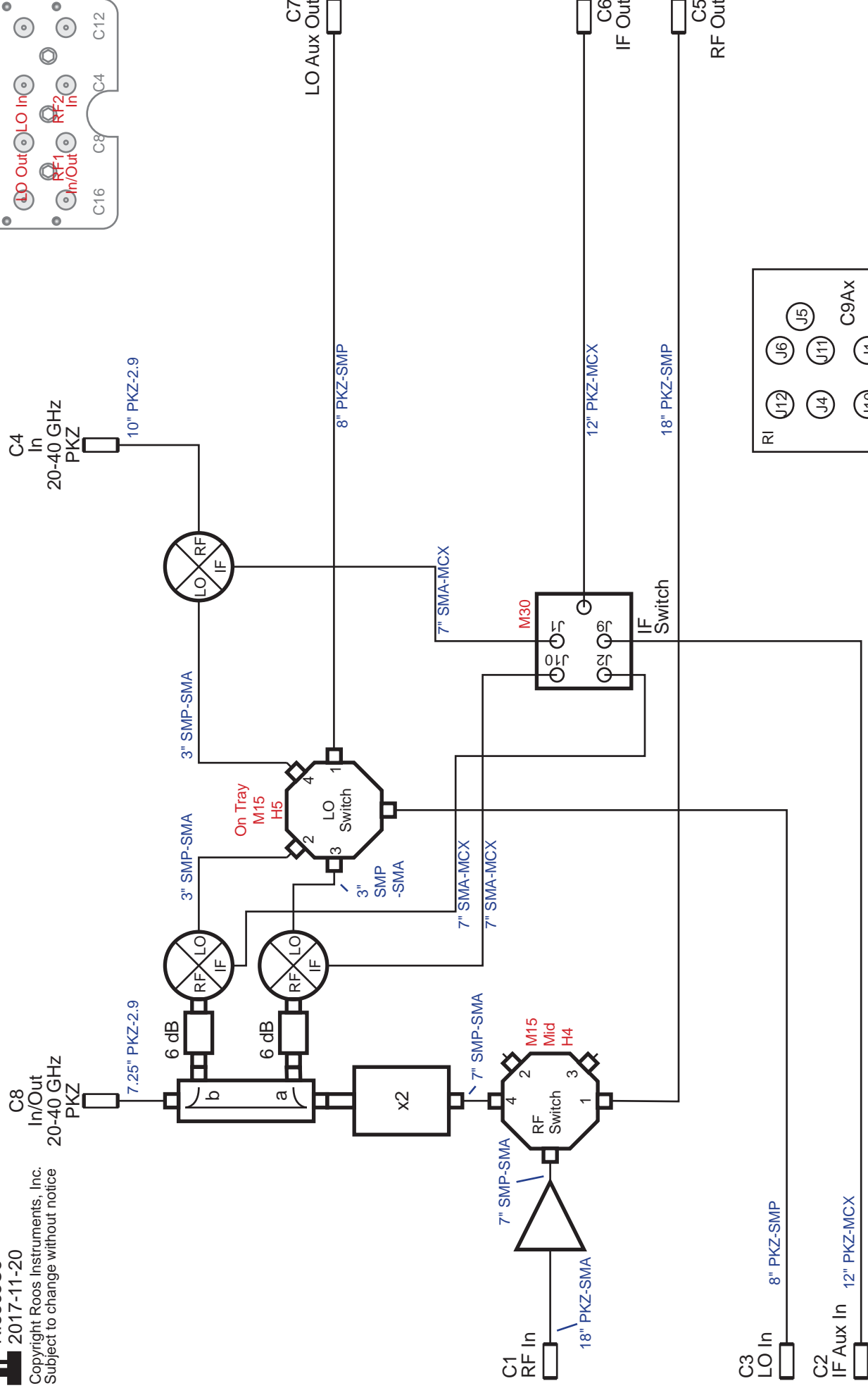
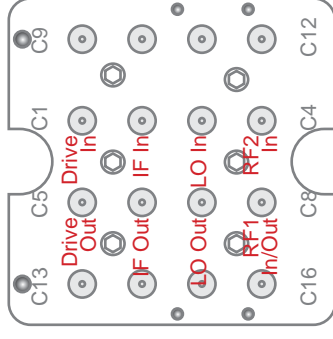


Roos Instruments, Inc - Cassini  
 Block Diagram, RI8563C  
 40.5 GHz, 2-Port-1-Path TIM

RI8563C3

2017-11-20

Copyright Roos Instruments, Inc.  
 Subject to change without notice



Unless otherwise noted, all cables are SMA, and all cables are M-M.